

High Voltage, High Efficiency, 100W Buck Converter

Features

- Selectable Switching Frequency up to 2 Mhz
- Optimal High Efficiencies for 3.3 V to 21 V Vout
- Maximum Output Current of 5 A
- Wide Input Voltage Range: 7 V to 27 V
- Selectable Soft Start Times
- OCP/OVP/OTP Protections
- Programmable UVLO
- 4 mm x 4 mm QFN Package

Applications

- VBUS Supply Generation for USB-PD Ports:
 - Multiple Output USB-PD Chargers
 - Charging Hubs
 - Displays and Televisions
 - Laptop Docking Stations

Product Description

The SZDL3105B is a fully integrated high efficiency synchronous buck DC/DC converter intended to be paired with USB port controllers. The device is optimized for the highest efficiency performance, including dual input LDOs for self-bias, across a wide output voltage range.

The SZDL3105B is designed to supply the full range VBUS rail for USB-PD SPR ports and can be controlled by popular USB-PD controllers or fast charging devices. On start-up, the device employs an internal feedback path to allow safe regulation until the external PD controller powers up and becomes available to regulate the output voltage. Following this initial start-up period, the SZDL3105B hands over output control to the external PD controller.

The SZDL3105B is available in a compact 4 mm x 4 mm custom QFN package, delivering high power density with a minimal number of external components.

Application Diagram

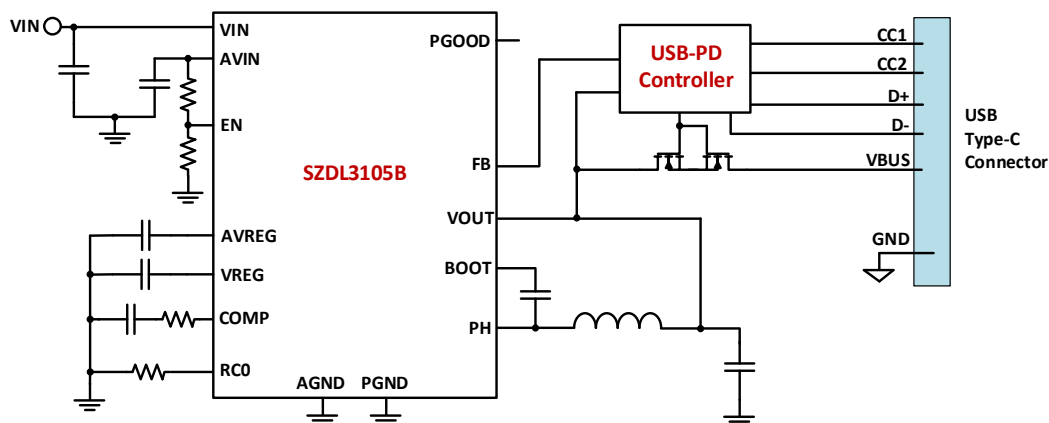


Figure 1. Typical SZDL3105B USB-PD Port Application Diagram

Package Pinout

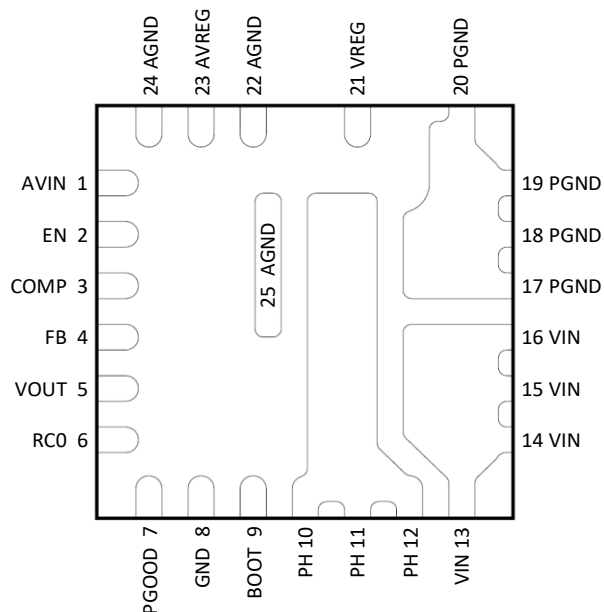


Figure 2. Package Pinout - Top View

Pin Definitions

Pin #	Name	Description
1	AVIN	Input voltage to the buck converter for analog circuits, internally derived from and matching VIN amplitude. Connect to an effective minimum 1 μ F bypass capacitor to ground.
2	EN	Analog control input. A potential higher than the UVLO threshold enables switching operation and output soft start process. A potential lower than the shutdown threshold places the device in a low power state. To ensure proper initialization, the EN pin voltage should transition between the shutdown (V_{EN_SDH}) and UVLO thresholds (V_{EN_UVLO}) no faster than 1.8 ms. Decouple with a high-quality ceramic capacitor of at least 10 nF placed close to the device. See the Error! Reference source not found. paragraph for a more detailed explanation of its operation.
3	COMP	Compensation error amplifier output. Connect to RC network to ground. See the Applications Information section for recommendations.
4	FB	Feedback input pin, nominally regulated to 1.25 V. Connect to the tap of a VOUT-to-AGND resistor divider network (if needed by the USB port controller device) and the analog feedback control output of a USB port controller device.
5	VOUT	Voltage sense line from regulated output of converter and secondary input to internal LDOs.
6	RCO	Analog input. A resistor to ground sets the soft start time (t_{ss}).
7	PGOOD	Power good output signal. Active high, open drain output. Connect to pullup resistor to VREG.
8	GND	Connect to ground.
9	BOOT	Bootstrap high side driver voltage supply. Connect to 0.1 μ F capacitor to PH node.
10-12	PH	Phase (switch) node of the buck converter's output FETs. Connect to output inductor.
13-16	VIN	Input voltage to the buck converter's output FETs (high side drain). Locally decouple with 1 μ F + 0.1 μ F capacitors, followed by sufficient capacitors to provide required input RMS current.
17-20	PGND	Power ground connection of output FETs (low side source). Connect to ground.
21	VREG	Internal 3.45 V LDO output. Connect to an effective minimum 2.2 μ F bypass capacitor to ground.
22,24,25	AGND	Connect to ground.
23	AVREG	Internal 3.4 V LDO output. Connect an effective minimum 2.2 μ F bypass capacitor to ground.

Functional Block Diagram

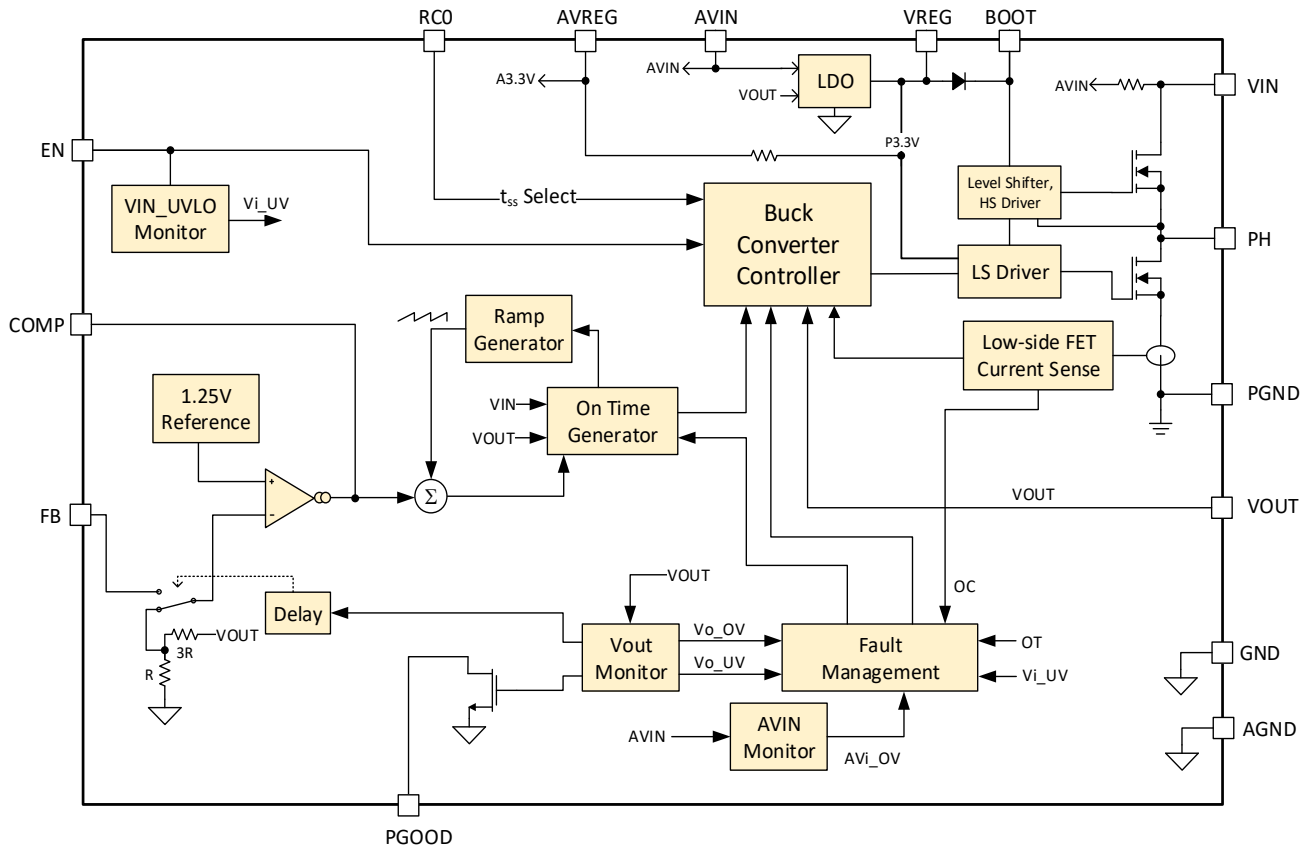


Figure 3: Functional Block Diagram

Product Ordering Information

Part Number	Package	Description
SZDL3105B-BQXC	QFN (4 mm x 4 mm)	100 W, USB-PD Buck Converter; with internal FB divider at power up

Product Image

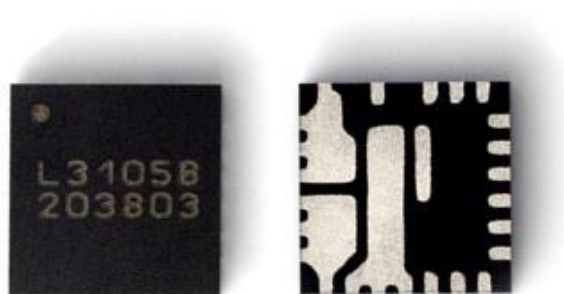


Figure 4: SZDL3105B Product Image

Revision History

Revision	Date	Author	Note
1.0	07/15/2021	TW	Initial Release.
2.0	09/20/2021	TW	Edited EN pin description of rise time.
3.0	06/29/2022	HN	Update product to SZDL3105B-B with frequency up to 2Mhz

Silanna Semiconductor Proprietary and Confidential

Information furnished by Silanna Semiconductor is believed to be accurate and reliable. However, no responsibility is assumed for its use. Silanna Semiconductor makes no representation that the interconnection of its circuits as described herein will not infringe on existing patents rights.

4795 Eastgate Mall, Suite 100, San Diego, CA 92121

Toll Free: (888) 637-3564 | Fax: (858) 373-0437 | www.SilannaSemi.com